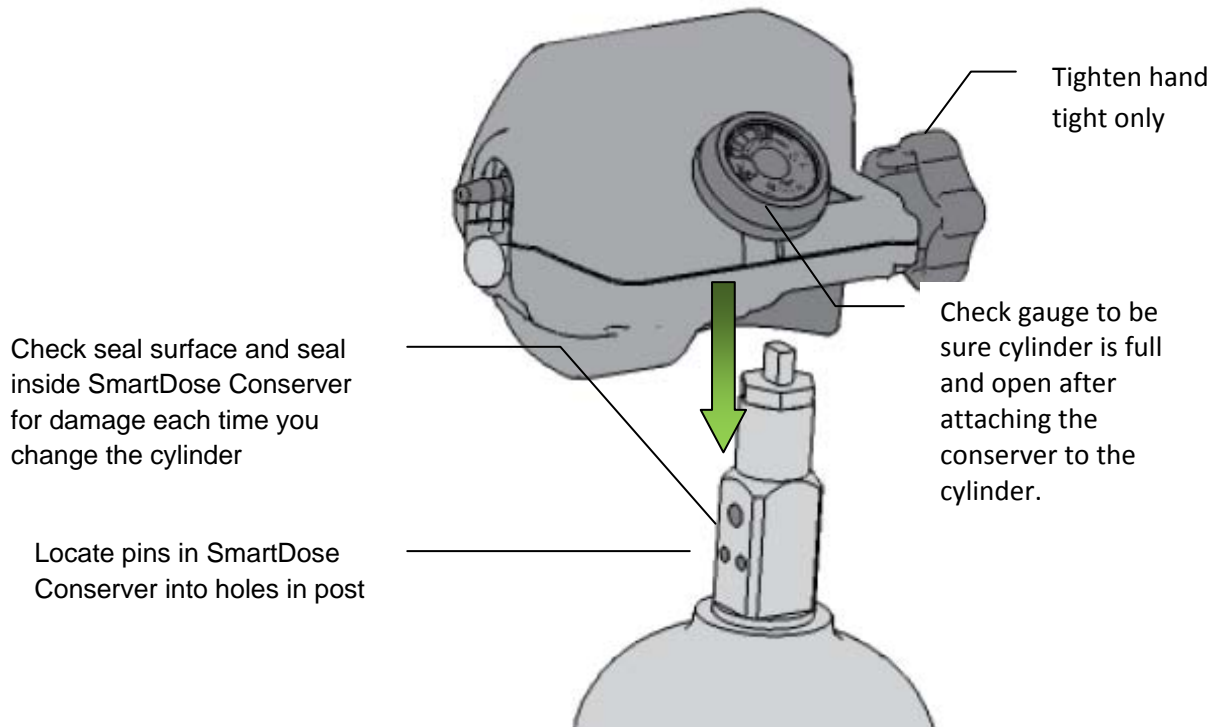




Tips for using the SmartDose™ Model 350 Gas Conserver

Attaching the Oxygen Cylinder

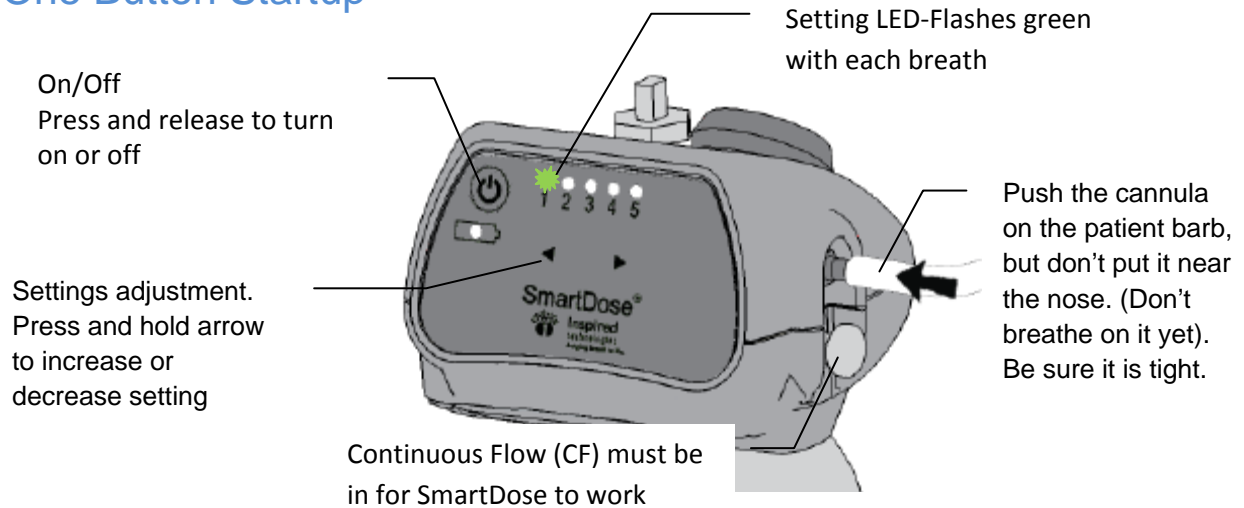




Inspired
technologies

Bringing breath to life.

One Button Startup



- ★ Turn on the unit by pressing the On/Off button. Allow the startup sequence to finish and the LED's to flash. This allows the breath sensor to set itself to zero.
- ★ The SmartDose Converter remembers the last setting and automatically begins dosing at the last setting. Change your setting if you need to with the arrow buttons.
- ★ The SmartDose Converter automatically turns itself off if you don't breathe on it for five minutes. Just turn it back on again using the On/Off button. You're ready to go.

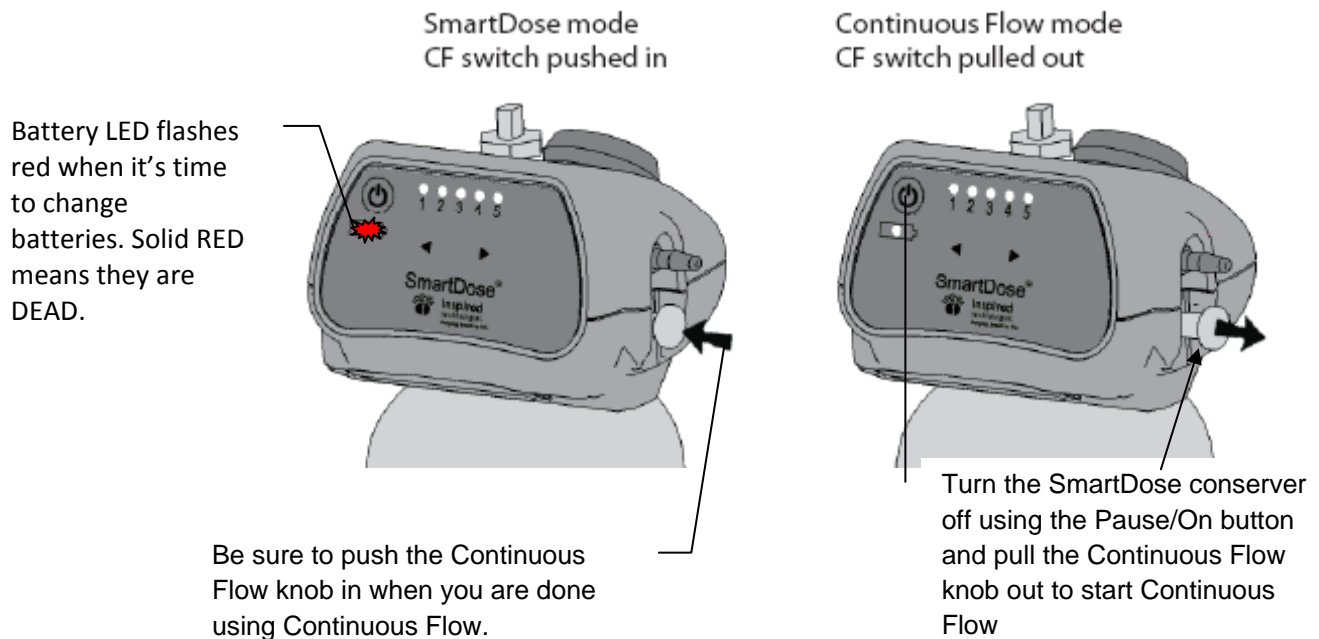


Using SmartDose

- ★ Breathe on the SmartDose Converter while resting for 1-2 minutes before beginning exercise or activity. This allows the SmartDose computer to calculate and remember your resting breath rate.
- ★ As you increase your activity and breath rate, the SmartDose computer will automatically adjust the amount of oxygen delivered, up to two additional settings, but the green setting LED will only flash at your normal setting.
- ★ As you rest again and your breath rate comes down, the SmartDose computer will decrease the amount of Oxygen until you are getting your normal dose again.

Using Continuous Flow

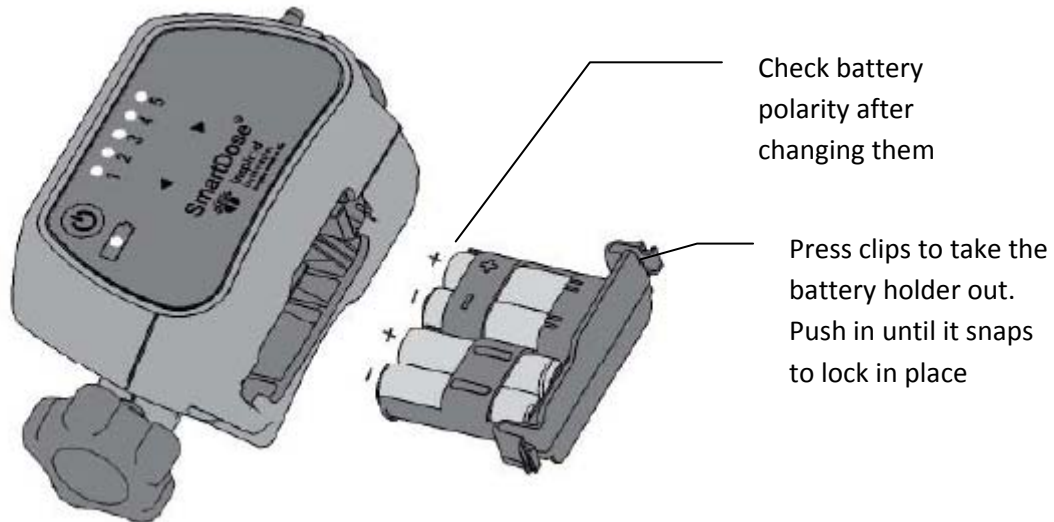
- ⚠ The Continuous Flow knob is intended for backup only. Continuous flow only provides 2-3 LPM of oxygen continuously. It is not adjustable. You do not need batteries to use Continuous Flow.



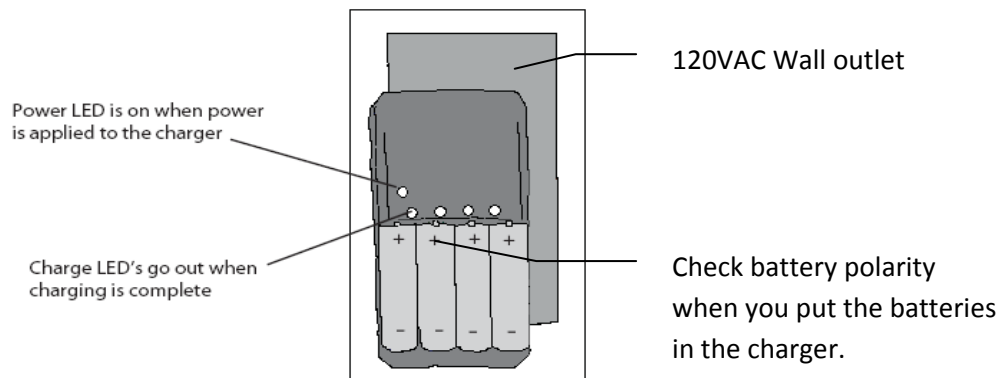




Changing and Charging Batteries

 Charge batteries fully before first use



- ★ Use AA NiMH (Nickel Metal Hydride) rechargeable batteries in the SmartDose Conservator.
- ★ Check battery polarity when you put new batteries in the holder.
- ★ Charge batteries until all four red LED's above the battery in the charger are off.



-  AA alkaline batteries can be used as a backup. Don't try to recharge the alkaline batteries.
-  Only use the Inspired Technologies battery charger with Inspired Technologies batteries