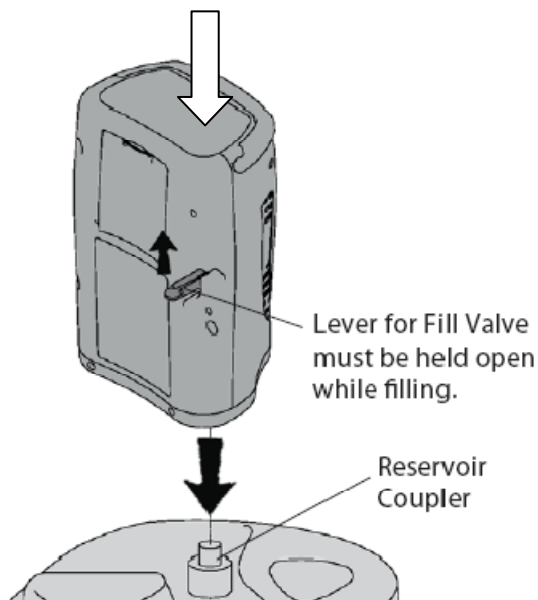


Tips for using the SmartDose Liquid Oxygen Portable

Filling

Push on the top of the SmartDose LOX Portable while filling.



Fill until you hear a sputtering sound coming from the vent fill tube on the bottom of the unit. You can easily hear the change in sound and see liquid oxygen droplets on the filling reservoir. Be careful, they are COLD!

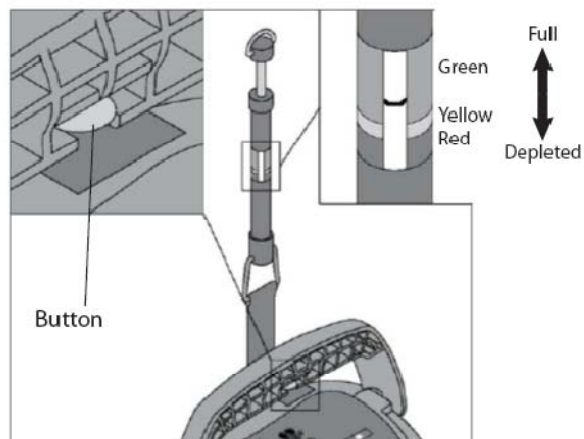
Open and close the fill valve several times when filling a model 601P to prevent valve freeze up.



Always check the fill level with the scale. It should be near the top of the green area. If in doubt, use a bathroom scale. A full 301P weighs about 4 lbs (with batteries); a full 601P weighs about 5 ½ lbs.



Filling an empty SmartDose model 301P should take about 60 seconds, filling an empty SmartDose model 601P should take about 100 seconds.





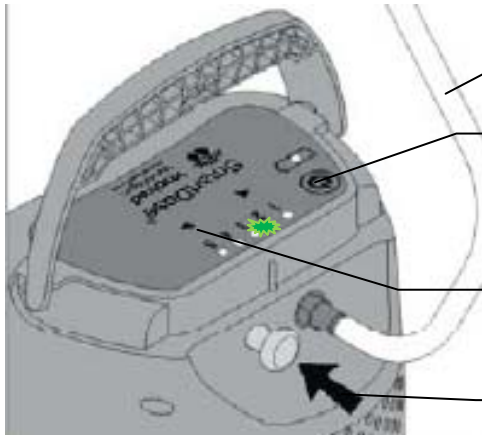
Inspired
technologies

Bringing breath to life.

One Button Setup



Wait a few minutes after filling. This allows the liquid oxygen in the SmartDose Portable to vaporize and provide good flow.



Put the cannula on the patient barb, but not near the nose. (Don't breathe on it yet).

Turn on the unit by pressing the On/Off button. Allow the LED's to flash. This allows the breath sensor to set itself to zero.

Blinking green LED indicates setting.

Change your setting if you need to with the arrow buttons.

CF must be **in** for SmartDose to work.

- ★ The SmartDose Portable automatically turns itself off if you don't breathe on it for five minutes. Just turn it back on again using the Pause /On button. The SmartDose Portable remembers the last setting and automatically begins dosing at the last setting.



Using SmartDose

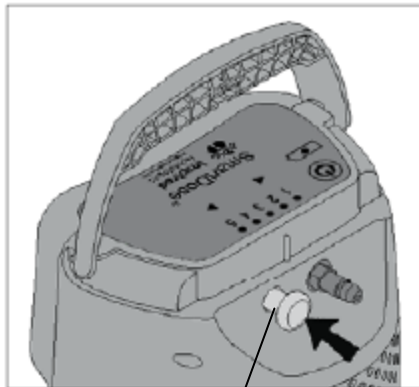
- ★ Breathe on the SmartDose Portable while resting for 1-2 minutes before beginning exercise or activity. This allows the SmartDose computer to remember your resting breath rate.
- ★ As you increase your activity and breath rate, the SmartDose computer will automatically adjust the amount of oxygen delivered, up to two additional settings, but the green LED will only flash at your normal setting.
- ★ As you rest again and your breath rate comes down, the SmartDose computer will decrease the amount of Oxygen until you are getting your normal dose again.

Using Continuous Flow



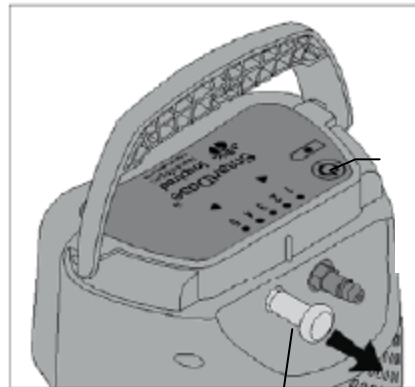
The Continuous Flow mode is intended for backup only. Continuous flow only provides 2-3 LPM of oxygen continuously. It is not adjustable.

SmartDose mode
CF switch pushed in



Be sure to push the Continuous Flow knob back in when you are done using Continuous Flow. Leaving it out when in SmartDose mode may cause problems.

Continuous Flow mode
CF switch pulled out



Pull out to start Continuous flow.

Turn the SmartDose portable off using the On/Off button



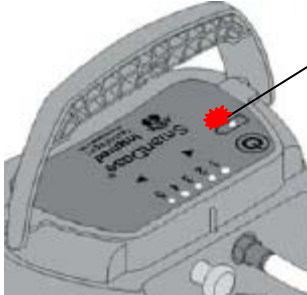
Inspired
technologies

Bringing breath to life.

Changing and Charging Batteries



Charge batteries fully before first use.

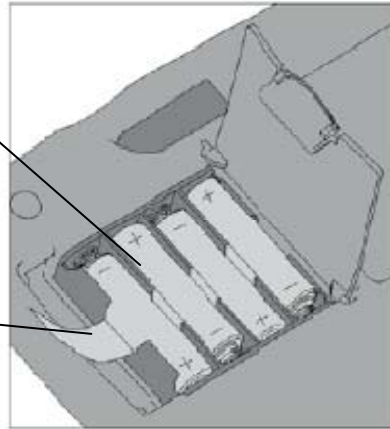


Blinking red battery LED indicates it's time to charge batteries.

Solid red LED means batteries are dead. Change to CF.

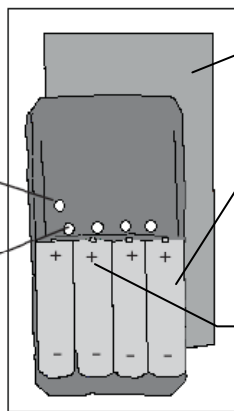
Check polarity when changing batteries. The negative (flat) terminal is against the spring

Put ribbon under batteries (Pull ribbon to remove batteries)



Power LED is on when power is applied to the charger

Charge LED's go out when charging is complete



120VAC wall outlet

Use only AA NiMH (Nickel Metal Hydride) rechargeable batteries

Check battery polarity when you put batteries in the charger



AA Alkaline batteries can be used as backup. Don't try to recharge the alkaline batteries.



Only use the Inspired Technologies battery charger with the Inspired Technologies batteries.